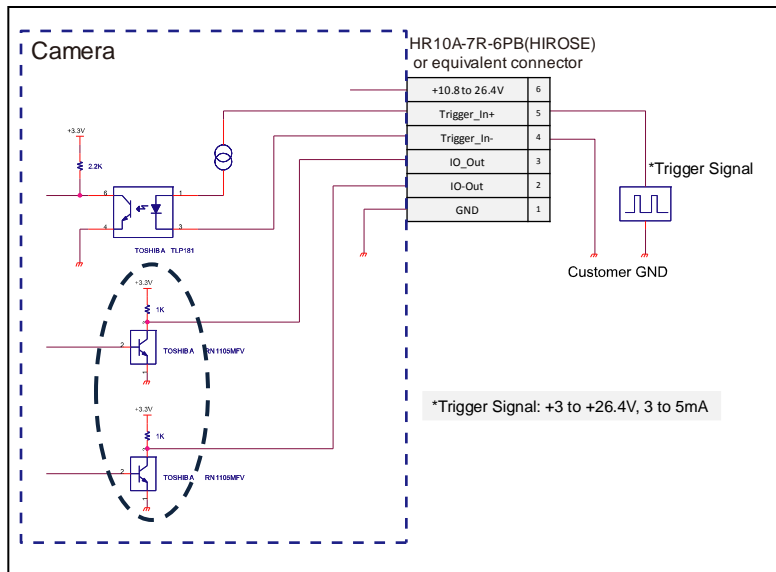


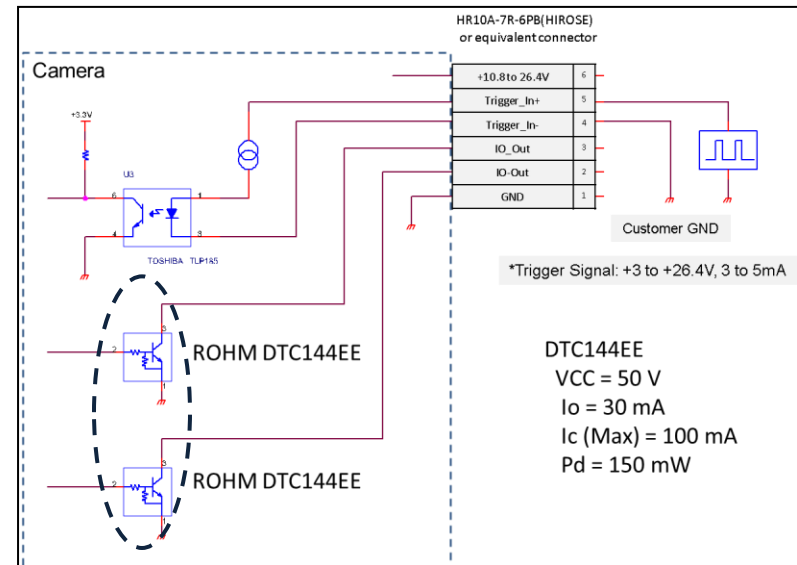
Comparison of Sentech GigE Standard x PoE model

	Sentech GigE	Sentech GigE PoE
PoE	-	Support
Mechanical IRIS	Support	-
Dimensions	35(W) x 35(H) x 50.8(D) mm	35(W) x 35(H) x 55.9(D) mm
Weight	approximate 120g	approximate 130g
Sensor	Support High Speed model as option	
Power Consumption	less than 5.0 W	+12V: 3.0W/2.8W, +24V: 3.3W/3.1W, PoE: 3.4W/3.1W
IO	Input: Photocoupler constant current circuit (+3.0 to +26.4V 3 to 5mA) Output: +3.3V , LVTTTL (Power supply is not required)	Input: Photocoupler constant current circuit (+3.0 to +26.4V 3 to 5mA) Output: Open Collector (Pull-up register and Power supply are required)

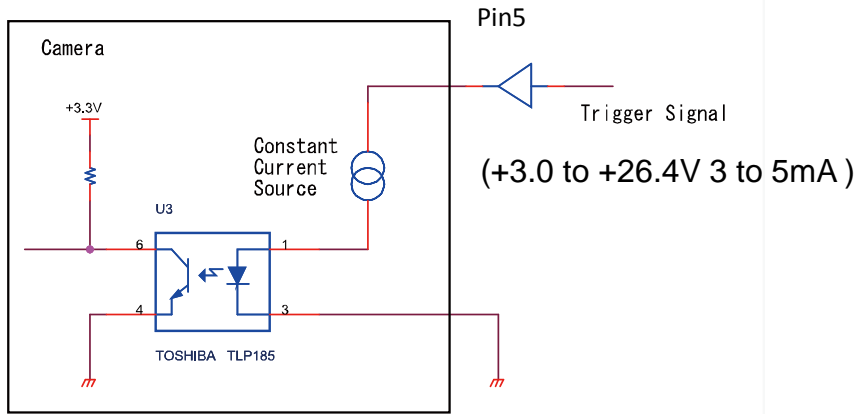
Equivalent circuit(GigE Model)



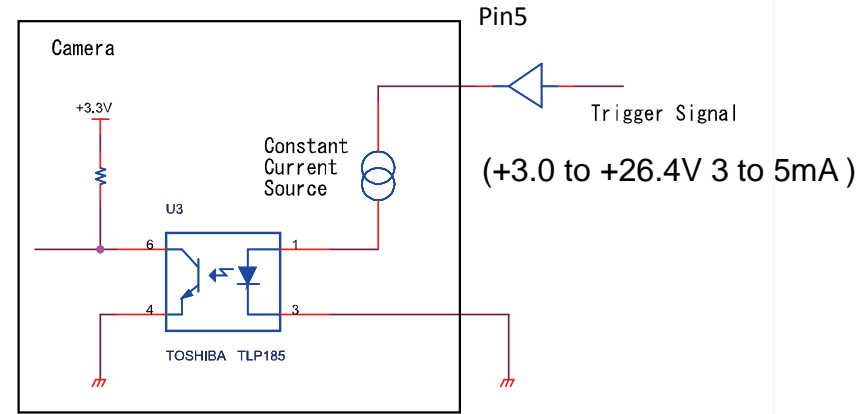
Equivalent circuit(GigE PoE Model)



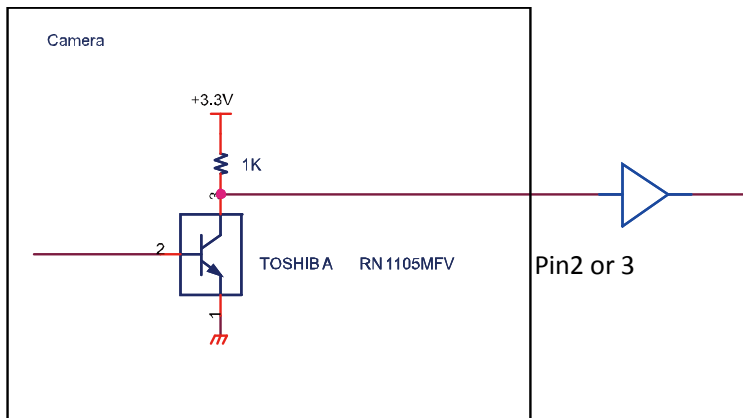
GigE Model Typical Input Circuit



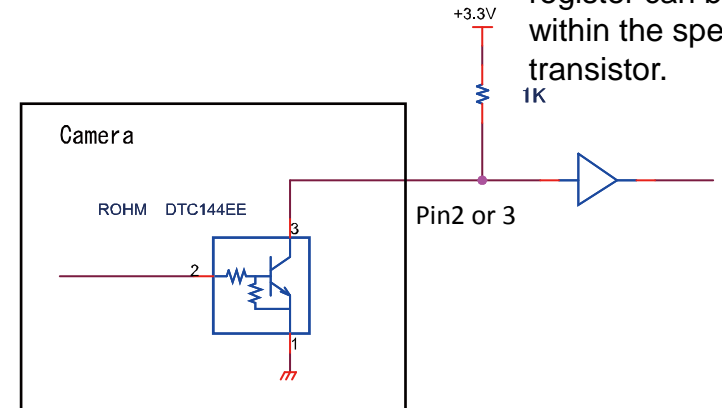
GigE PoE Model Typical Input Circuit



GigE Model Typical Output Circuit



GigE PoE Model Typical Output Circuit



Note;
Vcc and Pull-up
register can be set
within the spec of
transistor.
1K