

DRAWING NO.

REV.

B

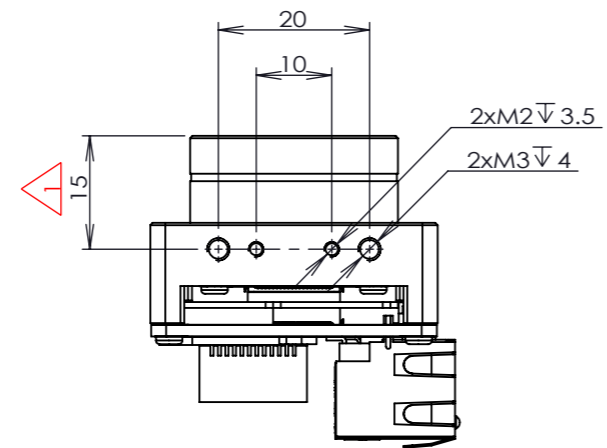
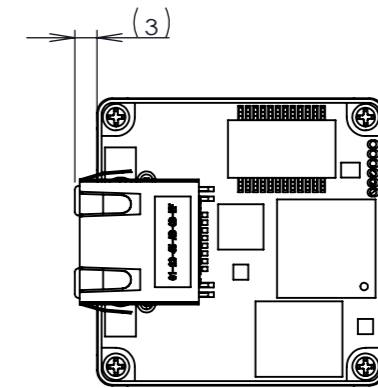
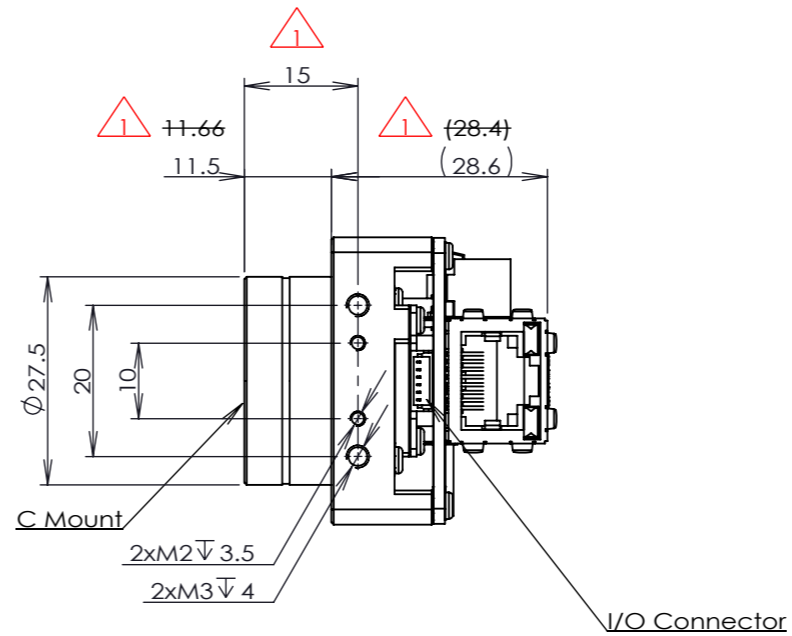
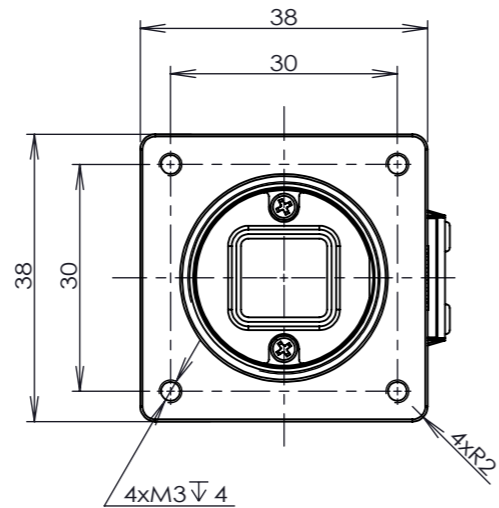
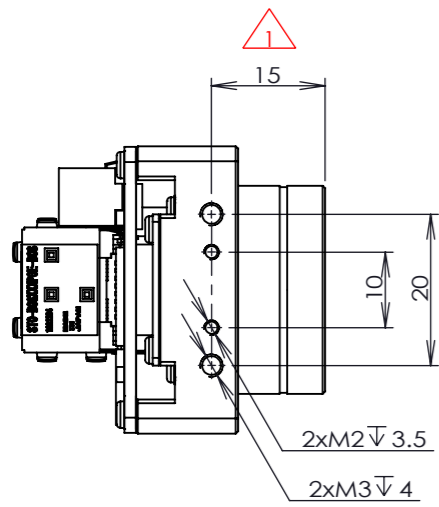
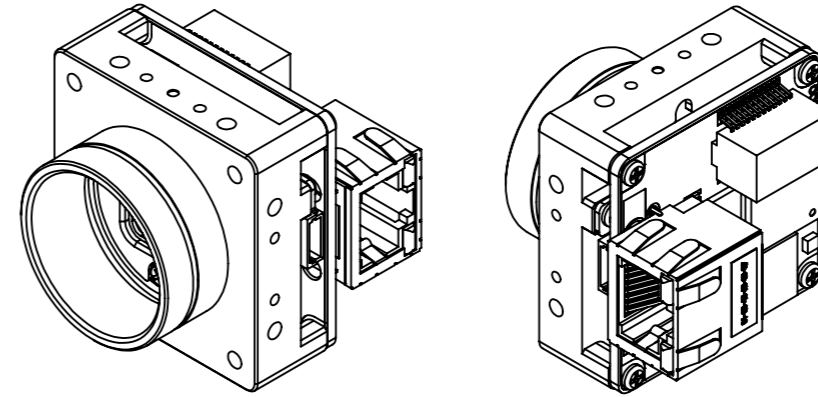
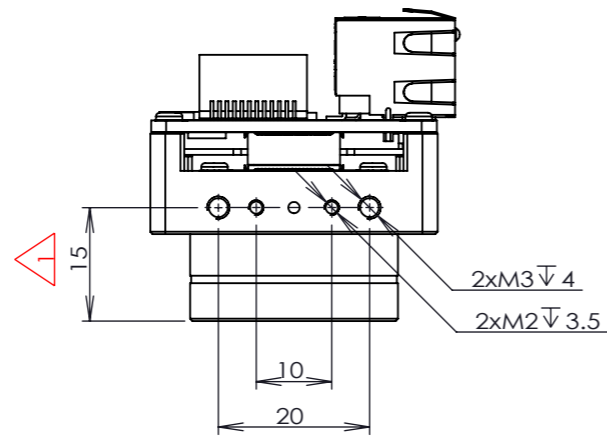
C

D

E

F

REV.	DESCRIPTION	APP.
0.1	寸法修正 2021/09/06 知念	



外観図							
PART NO.	TITLE	MATERIAL	SIZE	DETAIL WORKING	FINISH	QTY	FILE NAME
APPROVALS	DATE 2021/07/13	STC-BCS213POE/GE-BC		DRAWING NO. KVBD021		REV. 0.1	
APPROVED 木村	CHECKED 上田						
DESIGNED 知念	DRAWN 知念						
SCALE 1:1				UNIT mm	3RD ANGLE PROJECTION		