

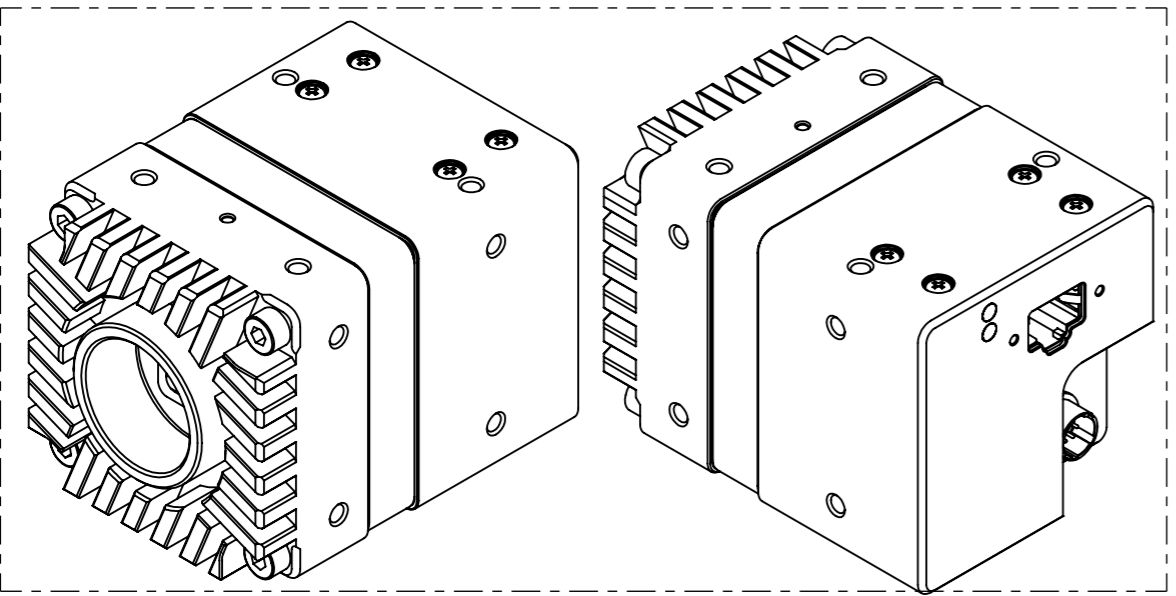
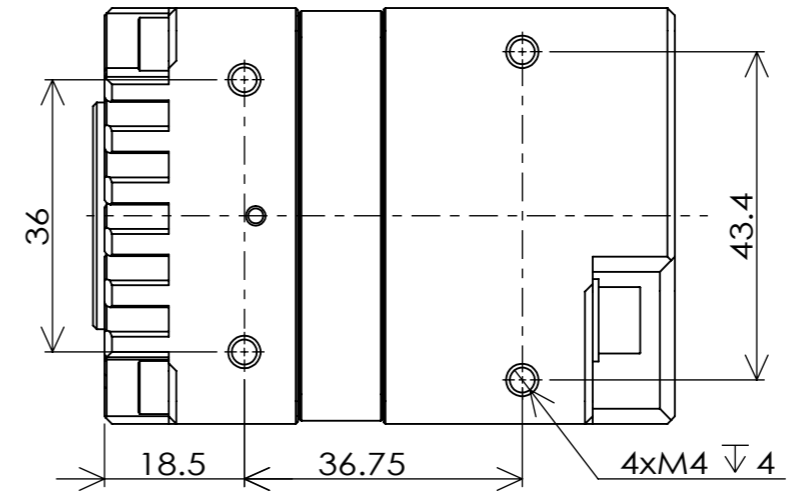
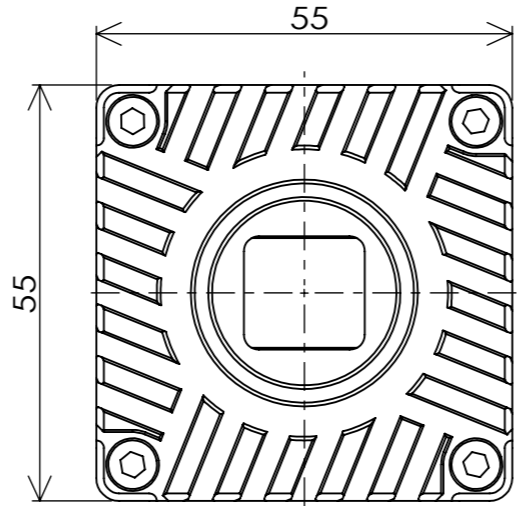
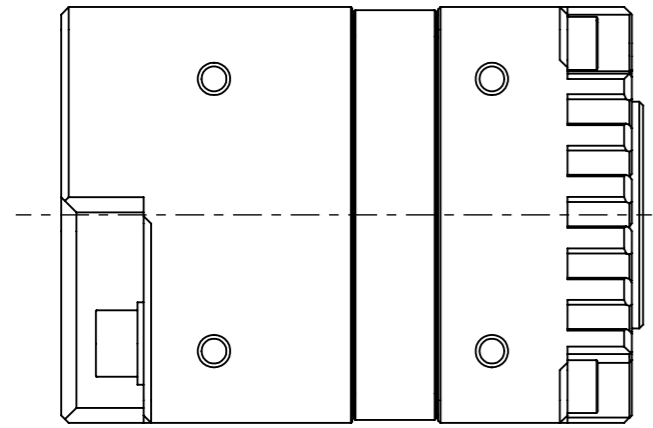
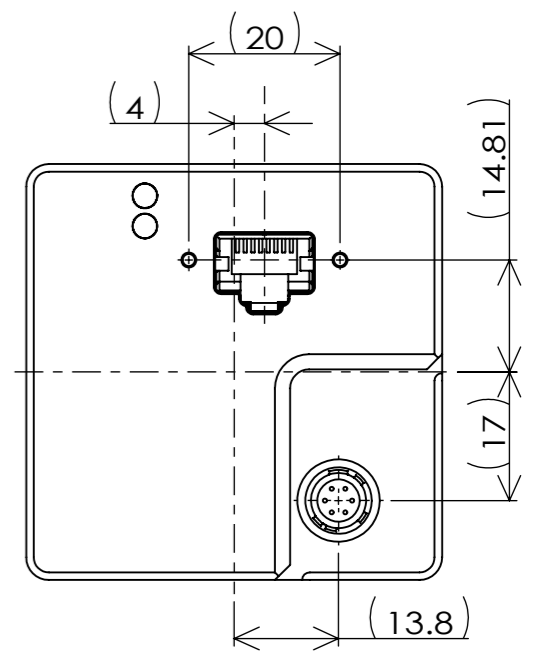
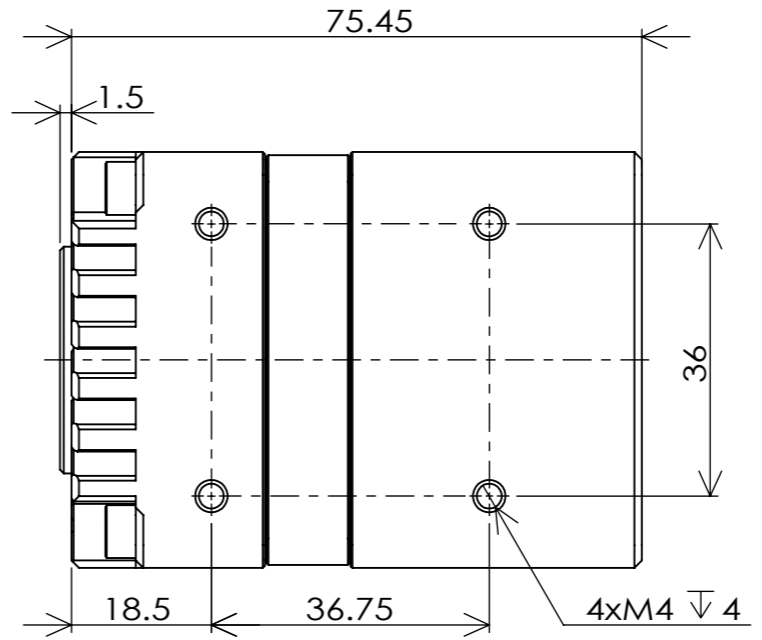
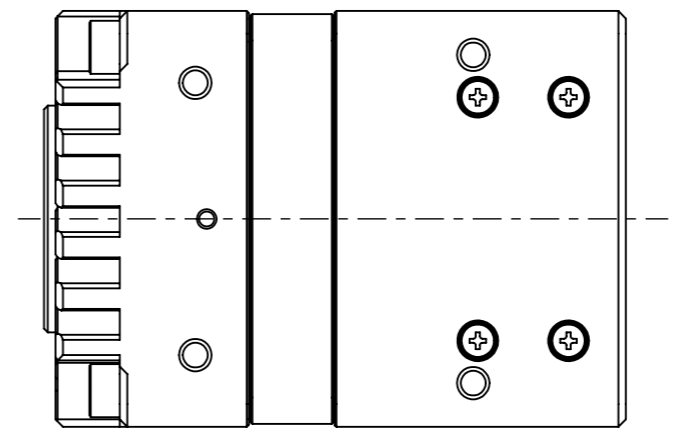
1 2 3 4 5 6 7 8

REV.	DESCRIPTION	APP.

DRAWING NO.
REV.

B
C
D
E
F

A
B
C
D
E
F



外觀図							
PART NO.	TITLE	MATERIAL	SIZE	DETAIL WORKING	FINISH	QTY	FILE NAME
APPROVALS	DATE 2024/04/25	STC-LBS 246C/512/123B POE10			DRAWING NO.		REV.
APPROVED	CHECKED				LEAD003		0.0
DESIGNED	DRAWN suzuki				SCALE 1:1	UNIT mm	3RD ANGLE PROJECTION

1 2 3 4 5 6