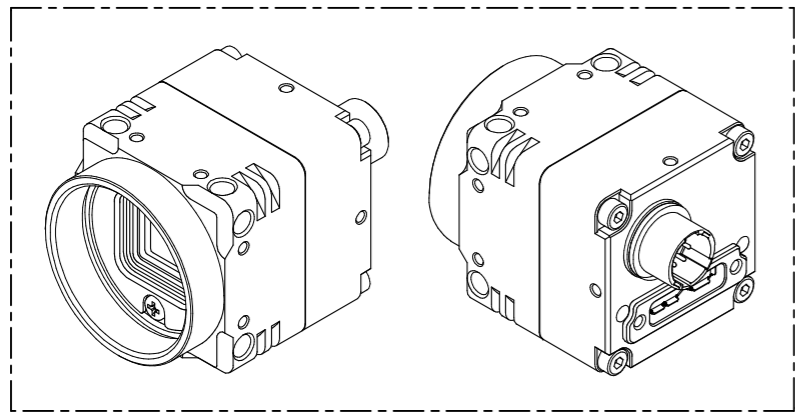
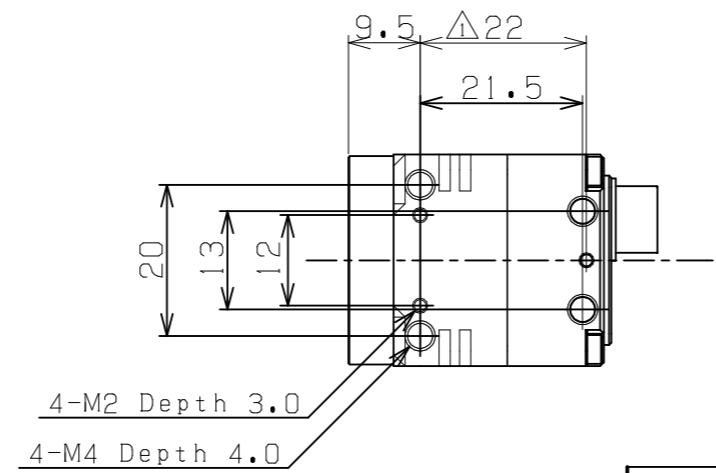
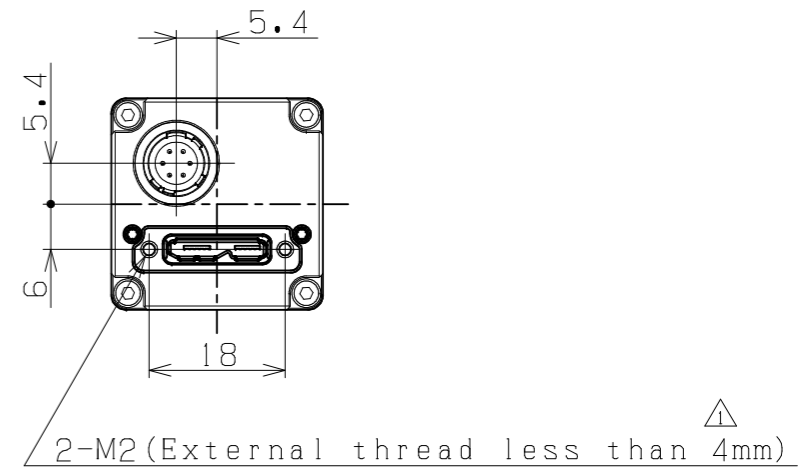
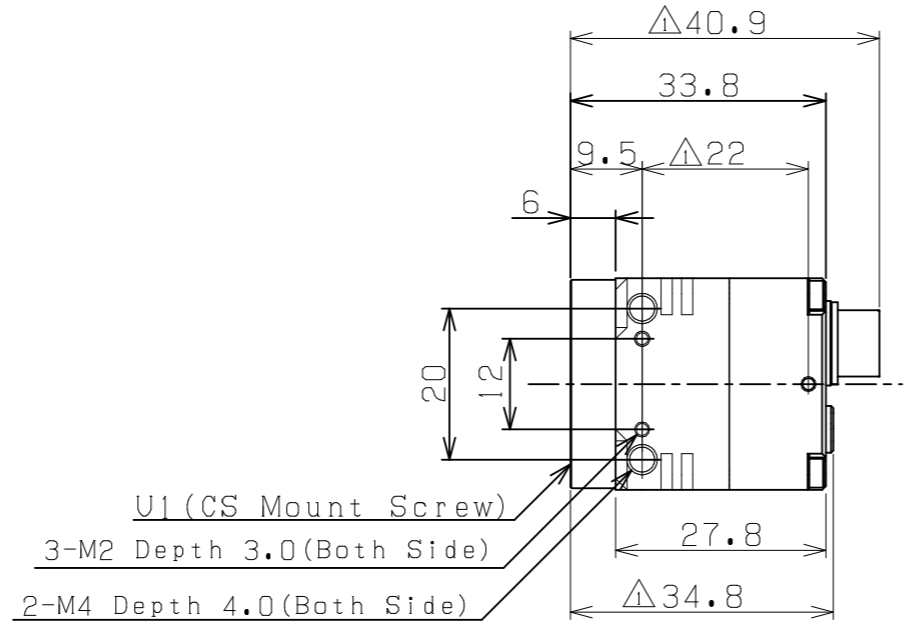
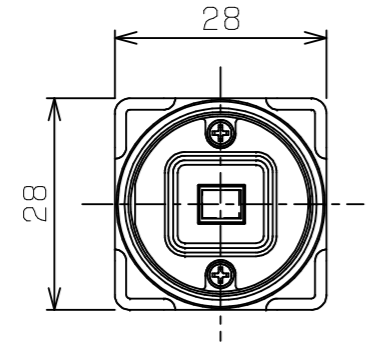
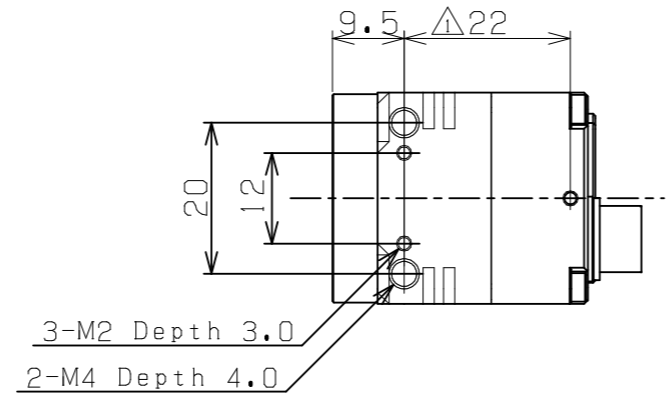


1 2 3 4 5 6 7 8

DRAWING NO.  
HCBDO11  
REV.  
0.1



REV.	DESCRIPTION	APP.
0	2012/3/1	
0.1	△ 2015/8/24 久保田 M2ネジ位置変更(A4, C4, E4) USBコネクタ部研状変更(D4) USBコネクタ部ネジ深さ変更(D8) 6pinコネクタ高さ変更(C4)	A



B  
C  
D  
E  
F

A  
B  
C  
D  
E  
F

外観図						HCBDO11-0.FDB	
PART NO.	TITLE	MATERIAL	SIZE	DETAIL WORKING	FINISH	QTY	FILE NAME
APPROVALS	DATE 2012/3/1	小型USB3.0 CS Mount type with out IR			DRAWING NO.		REV.
APPROVED	CHECKED				HCBDO11		0.1
DESIGNED 安齋	DRAWN 安齋				SCALE 1/1	UNIT mm	3RD ANGLE PROJECTION

1 2 3 4 5 6 7 8