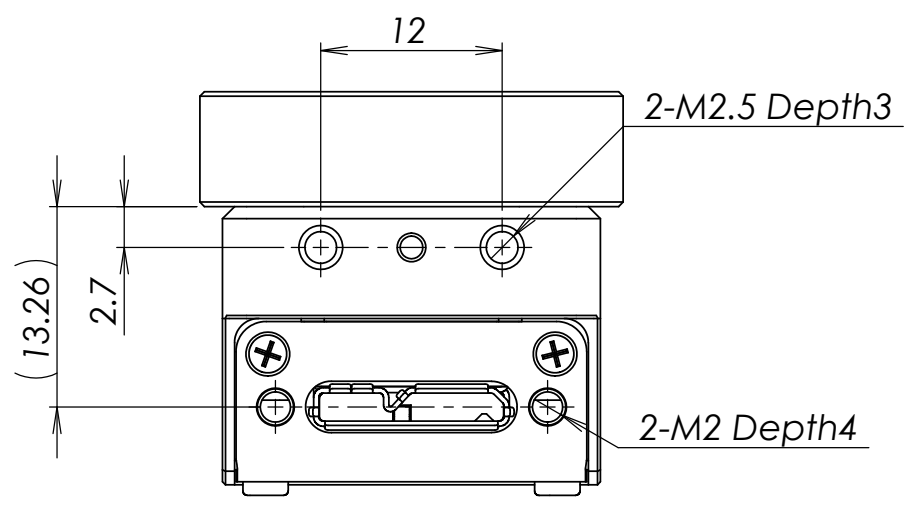
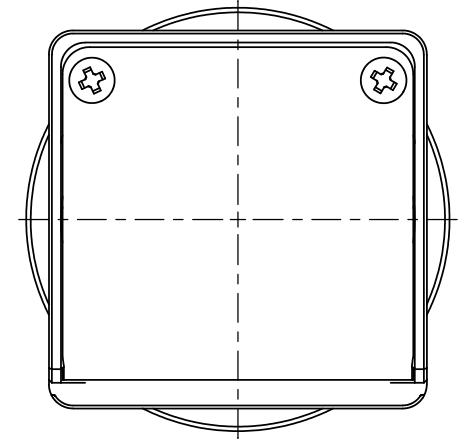
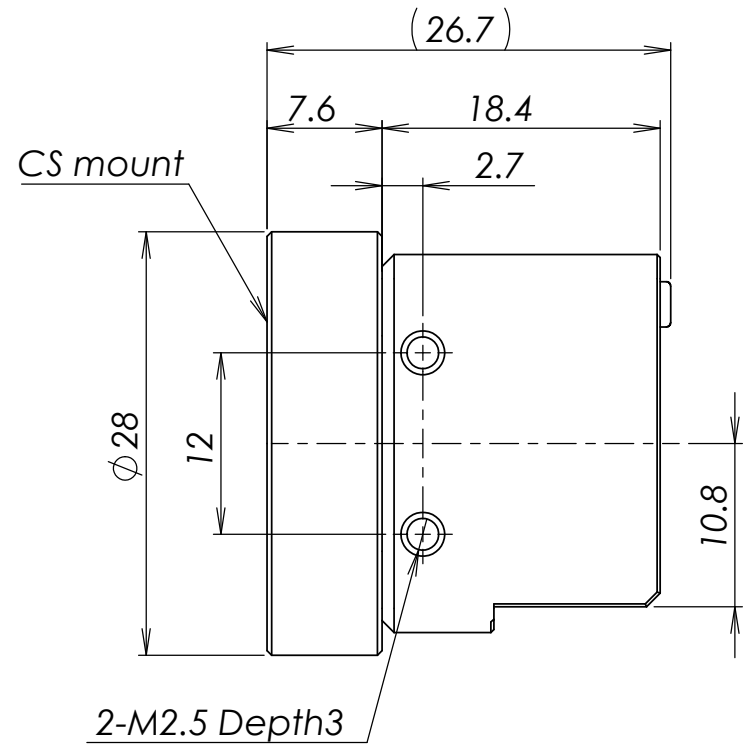
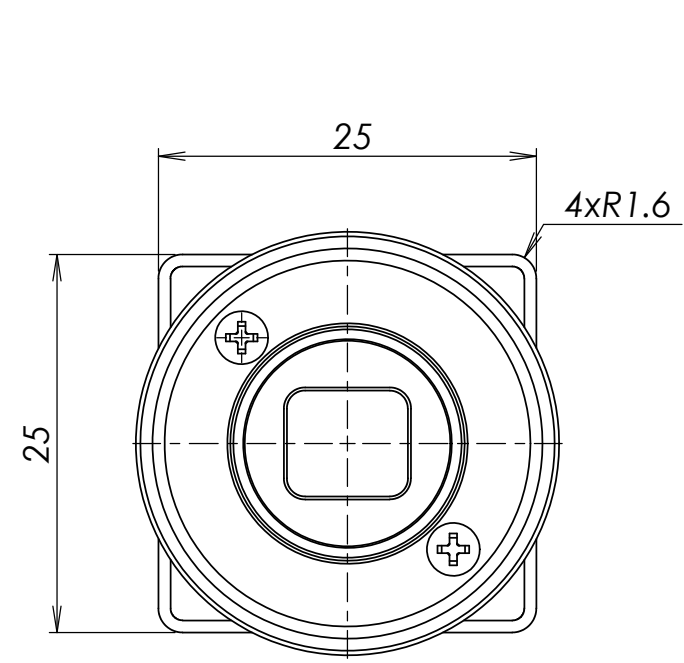
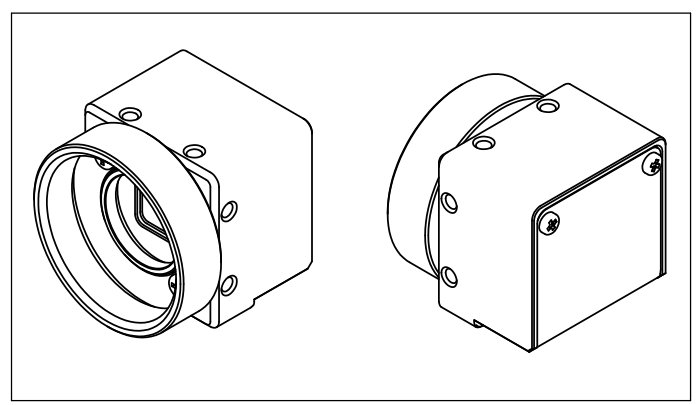
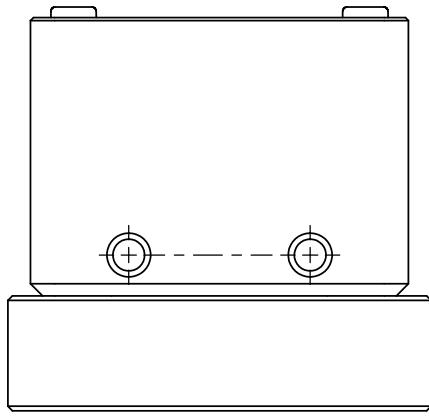


REV.	DESCRIPTION	APP.



CLASS	TOLERANCE (mm)		
	f	m	c
up to 3	±0.05	±0.1	±0.2
over 3 up to 6	±0.05	±0.1	±0.3
over 6 up to 30	±0.1	±0.2	±0.5
over 30 up to 120	±0.15	±0.3	±0.8
over 120 up to 400	±0.2	±0.5	±1.2
over 400	±0.3	±0.8	±2.0

PART NO.	TITLE	MATERIAL	SIZE	FINISH	QTY
APPROVALS	DATE 2022/12/23	STC-P213UCV-ALCS	DRAWING NO. KZAD019		REV. 0.0
APPROVED	CHECKED		SCALE 2:1	UNIT mm	3RD ANGLE PROJECTION
DESIGNED	DRAWN				