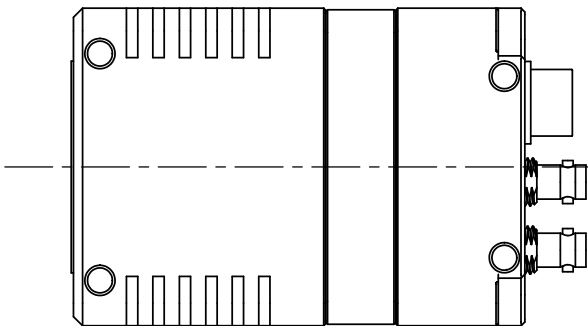
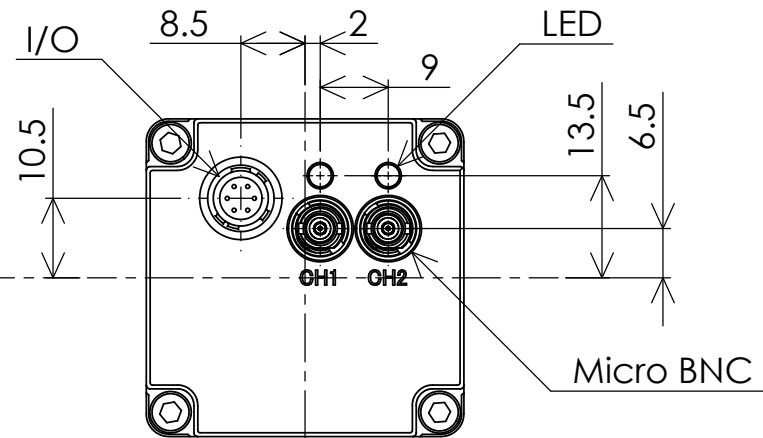
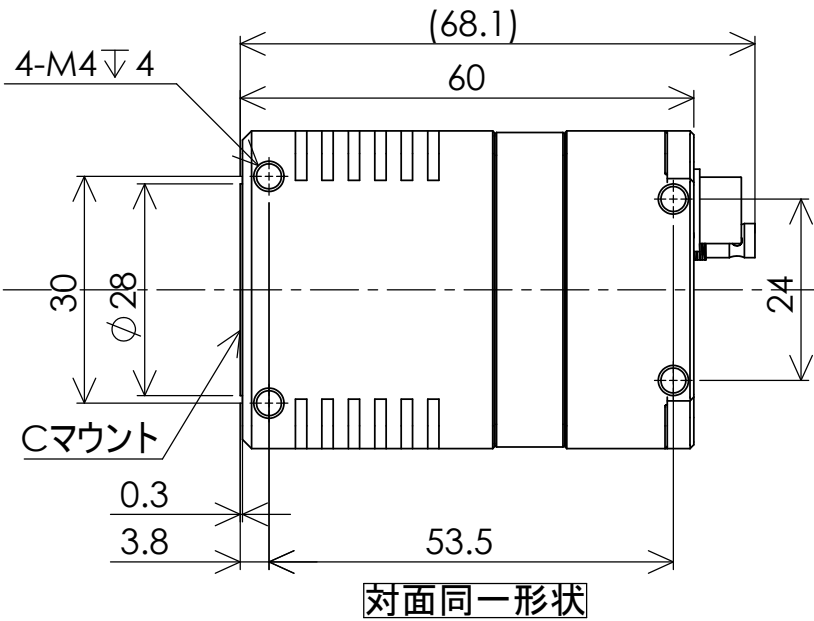
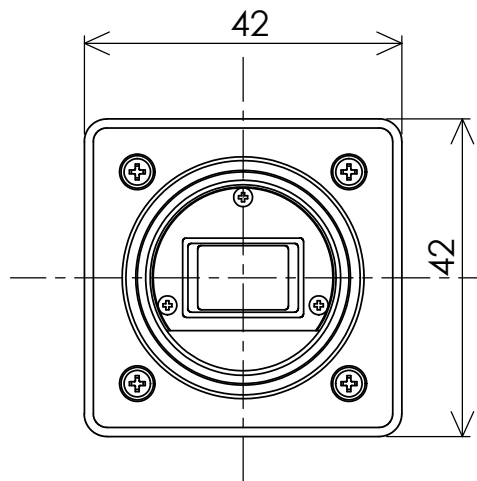
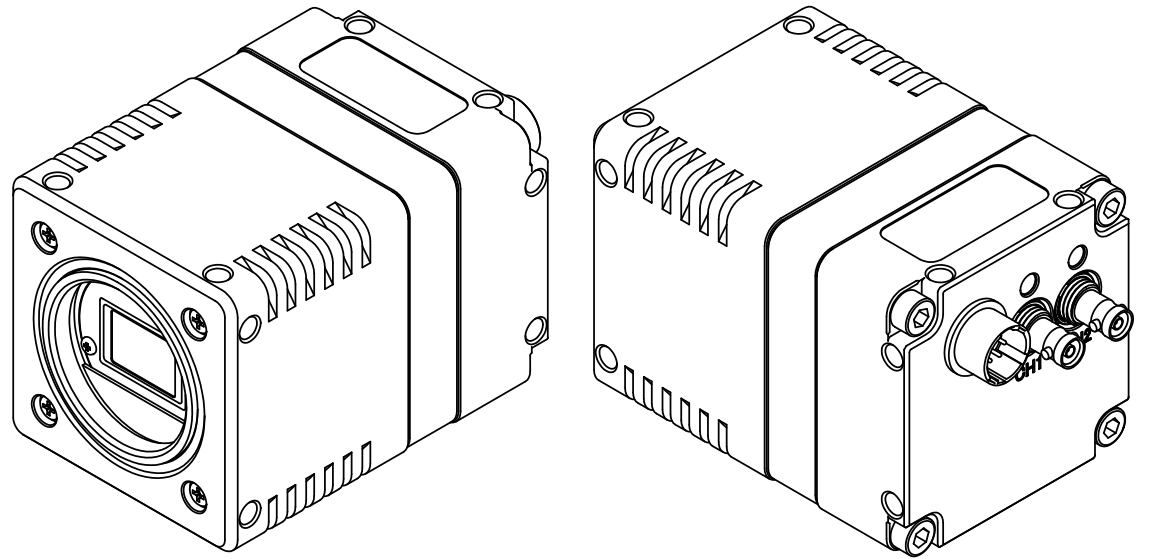
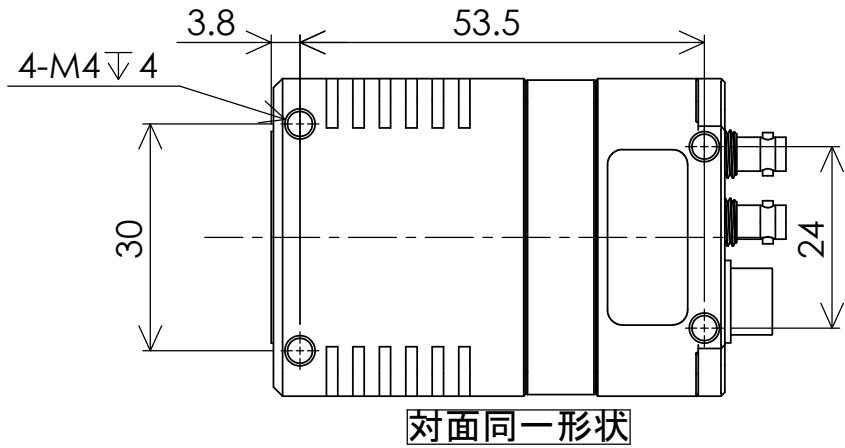


REV.	DESCRIPTION	APP.
0.1	外觀変更 2024/4/5 片倉	



CLASS	TOLERANCE (mm)		
	f	m	c
up to 3	±0.05	±0.1	±0.2
over 3 up to 6	±0.05	±0.1	±0.3
over 6 up to 30	±0.1	±0.2	±0.5
over 30 up to 120	±0.15	±0.3	±0.8
over 120 up to 400	±0.2	±0.5	±1.2
over 400	±0.3	±0.8	±2.0

外観図		Ra 6.3		QTY
PART NO.	TITLE	MATERIAL	SIZE	FINISH
	DATE 2023/08/03	3CMOS 5M Model		DRAWING NO. MCAD001
APPROVALS	CHECKED			REV. 0.1
DESIGNED	DRAWN 片倉	SCALE 1:1	UNIT mm	3RD ANGLE PROJECTION